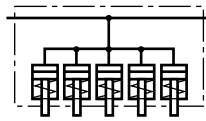


## Clamping bar with press-in piston single-acting, with spring return



**ROEMHELD**  
HILMA ■ STARK



### Applications:

- stationary installed on press beds and rams
- on machines and equipment for clamping and locking
- clamping force up to 35 kN, piston stroke 6 mm

### Function:

The clamping bar is mounted on the press bed or ram using a spacer ledge. Clamping is carried out on the die clamping edge by applying hydraulic pressure to the 5 pistons which are arranged side by side with a pressure medium and mechanical unclamping by a spring return. Hydraulic oil is supplied through G $\frac{1}{4}$  ports provided on both sides. Flat design with die inlet chamfers. Clamping force up to 35 kN uniformly distributed over 5 pistons. When using several clamping bars in a row, the elements are interconnected by means of hoses or pipes.

### Special features:

- ◇ piston stroke 6 mm
- ◇ very flat and compact design
- ◇ the full length of the stroke may be used
- ◇ easy fastening
- ◇ rapid and easy retrofit

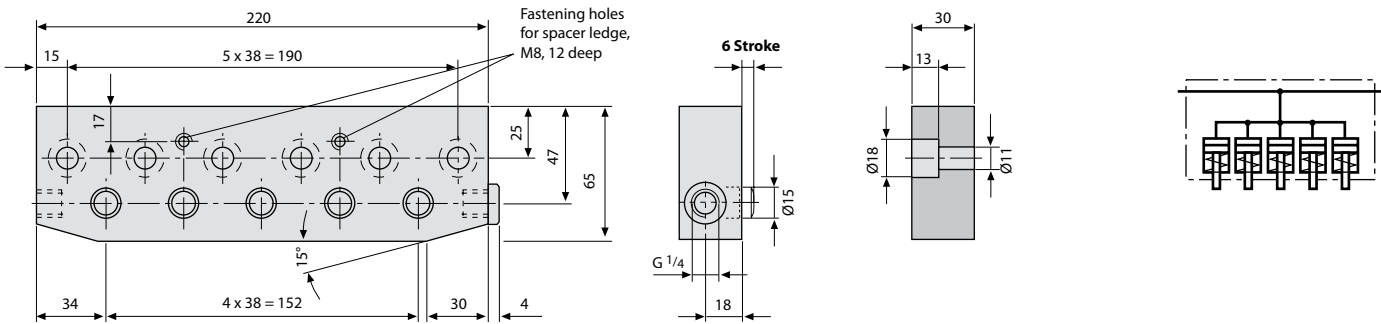


Clamping bars installed in press bed and ram.  
Easy loading of dies using die change consoles and lateral guide rollers.



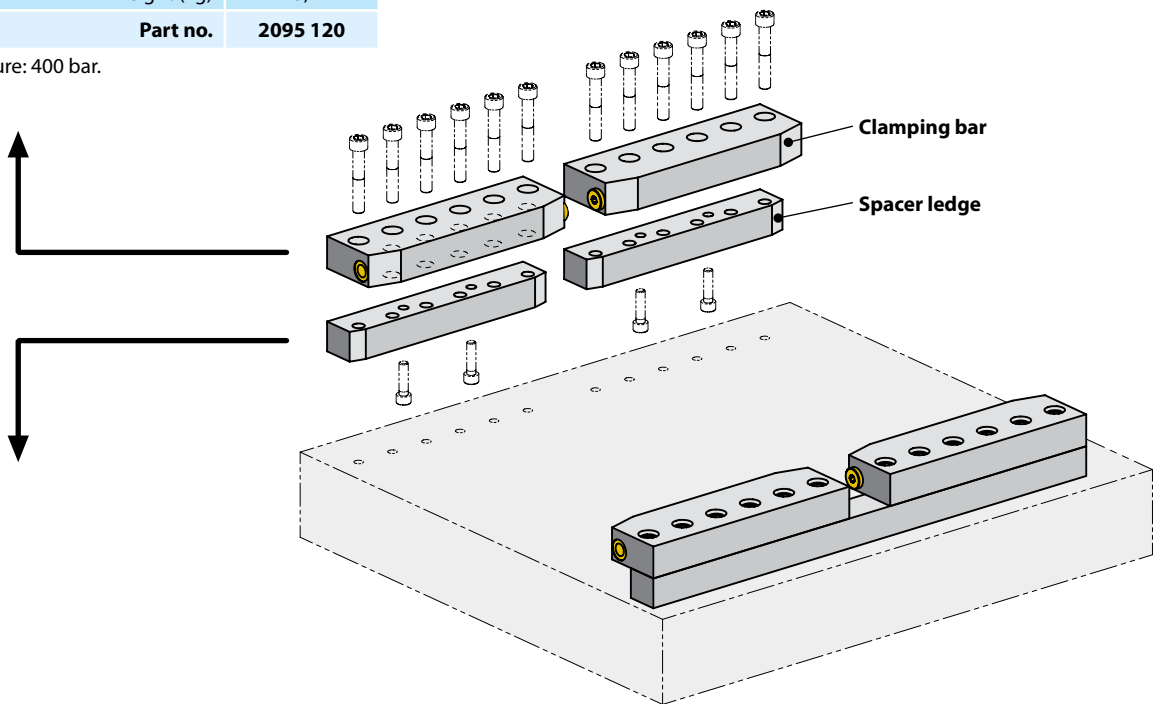
## Clamping bar with press-in piston single-acting with spring return

### Clamping bar



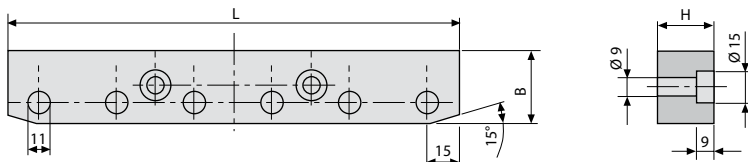
<b>Clamping force at 400 bar (kN)</b>	<b>35,0</b>
<b>100 bar (kN)</b>	<b>8,7</b>
Stroke (mm)	6,0
Oil consumption (cm <sup>3</sup> )	5,3
Number of pistons	5,0
Piston Ø (mm)	15,0
Weight (kg)	3,2
<b>Part no.</b>	<b>2095 120</b>

max. operating pressure: 400 bar.



### Spacer ledge

for obtaining the required clamping edge height



Length L (mm)	220	220
Width B (mm)	35	35
Height H (mm)	28	43
for clamping edge (mm)	25 ±1,5	40 ±1,5
<b>Part no.</b>	<b>5.2071.0040</b>	<b>5.2071.0071</b>

Other clamping edge heights H are available on request.